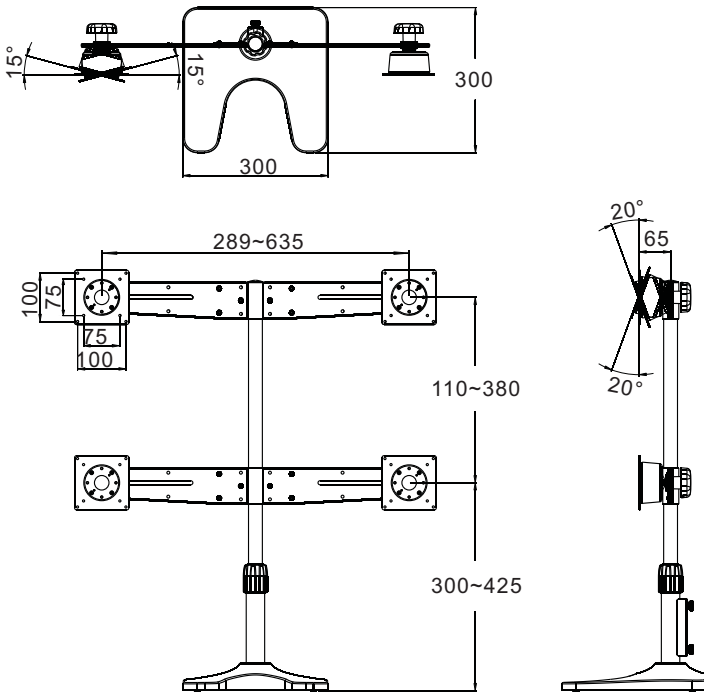


# Twin-LCD Monitor Arm

## Specification

※ Beware of the specification as first page.

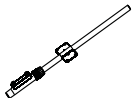

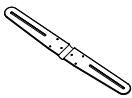

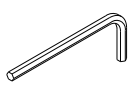

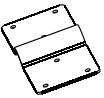
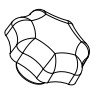

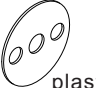



### Desk Swivel Arm stand for Twin LCD Monitor.



Key Specifications/Special Features:

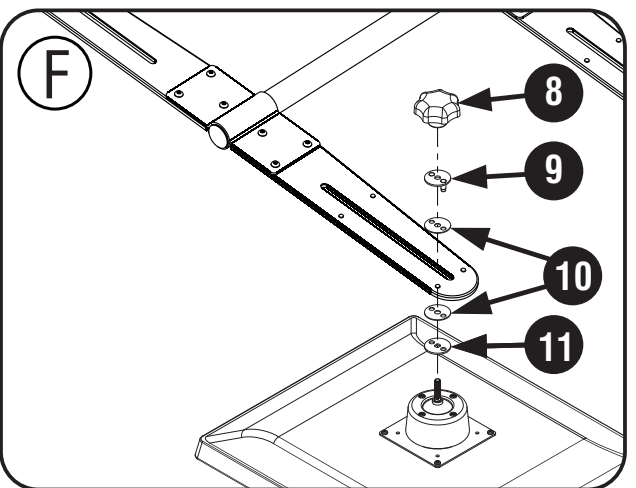
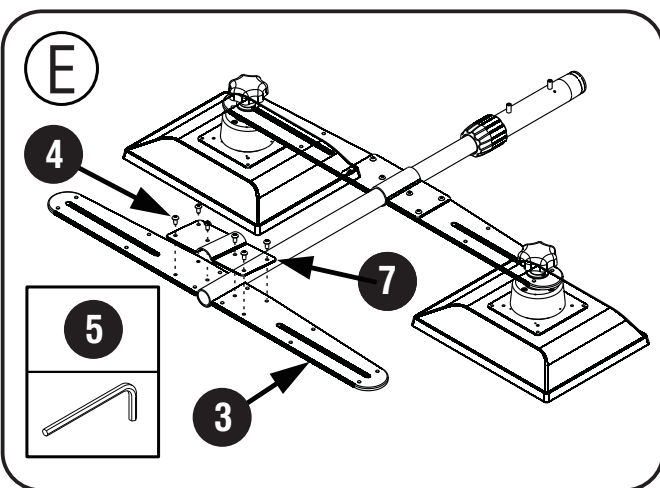
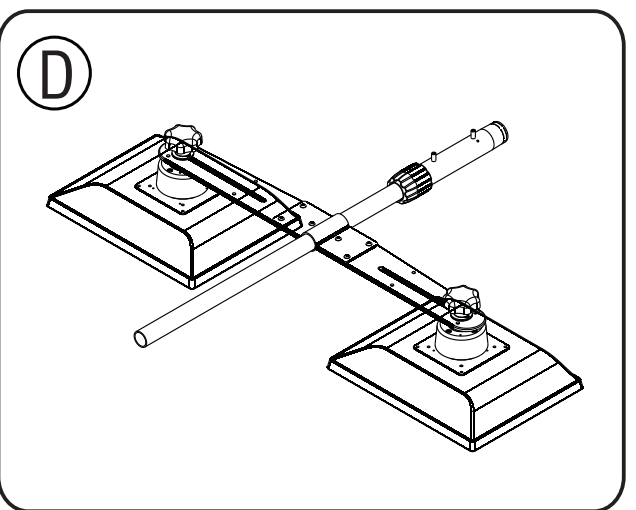
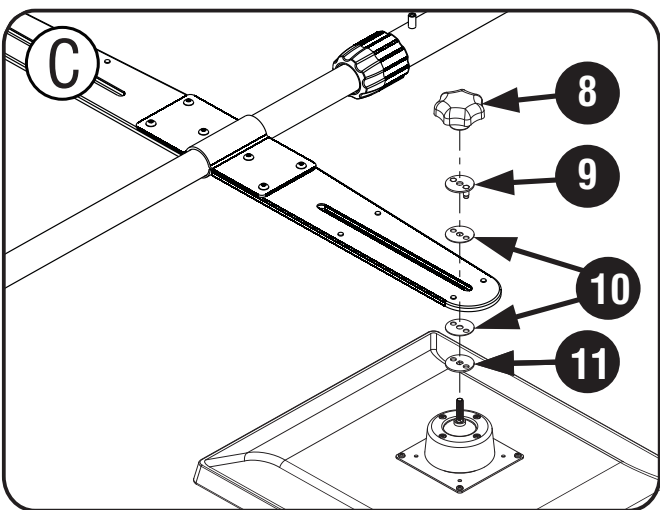
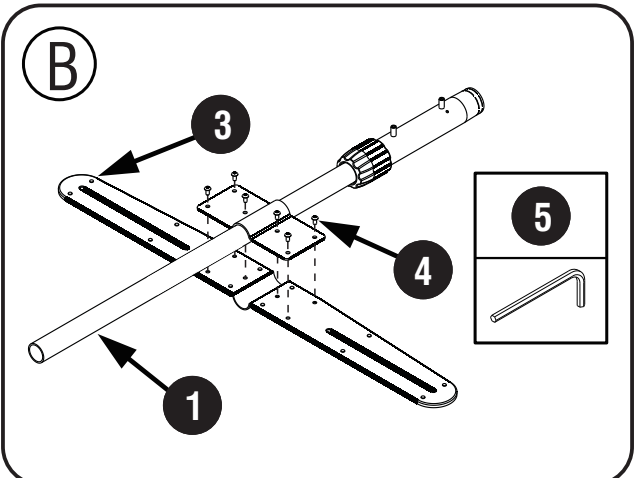
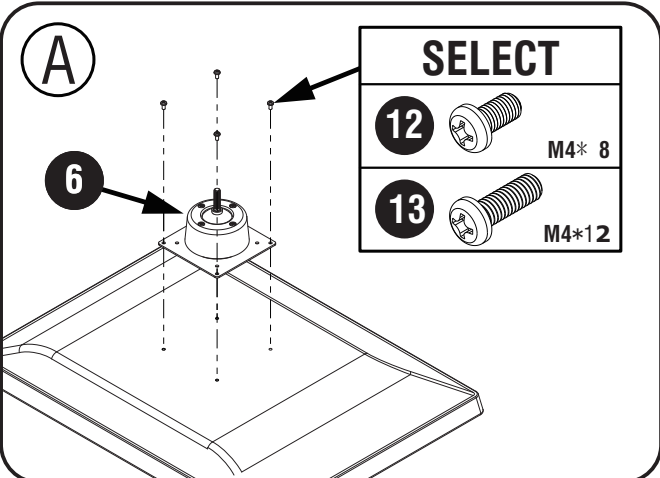
1. Apply for any 15"~20" LCD Monitor which backside meet VESA standards (75x75 mm/100x100mm)
2. Superior flexibility and movement
3. Swivel left & right:  $\pm 15^\circ$
4. Pivot up & down:  $\pm 20^\circ$
5. Monitor swivel:  $360^\circ$
6. Horizontal moving dist: 289~635mm
7. Vertical moving dist: 410~805mm
8. Max load 6kgs/per one monitor

## Part List

ITEM	<b>1</b>	<b>2</b>	<b>3</b>	<b>4</b>	<b>5</b>	<b>6</b>	<b>7</b>
PARTS				 M5*10			
GTY	<b>1</b>	<b>1</b>	<b>2</b>	<b>12</b>	<b>1</b>	<b>4</b>	<b>1</b>
ITEM	<b>8</b>	<b>9</b>	<b>10</b>	<b>11</b>	<b>12</b>	<b>13</b>	
PARTS			 plastics	 iron	 M4*8	 M4*12	
GTY	<b>4</b>	<b>4</b>	<b>8</b>	<b>4</b>	<b>16</b>	<b>16</b>	

# Twin-LCD Monitor Arm

## Installation



# Twin-LCD Monitor Arm

## Installation

